

Midwest Electric Products, Inc.

8 & 24 Circuit Meter Socket Load Centers

- Ring-type over/under design
 - Overhead and underground feeds
 - Feed-thru lugs
 - Compact 14"-wide package
 - Tin-plated copper bus for corrosion resistance
 - Combination slotted and Robertson drive screws on neutral terminations
 - Painted galvanized steel construction
 - UL and FMG Compliant
-
- Single phase, three wire, 120/240 VAC, 22 kAIC rated
 - UL Listed (Panelboards No. 67)
 - 60°C/75°C conductor rating
 - Suitable for use as Service Entrance Equipment when installed in accordance with the National Electric Code



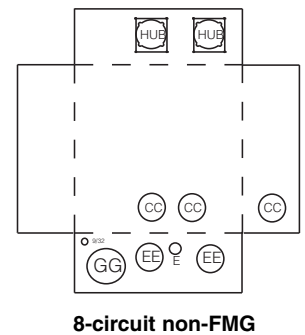
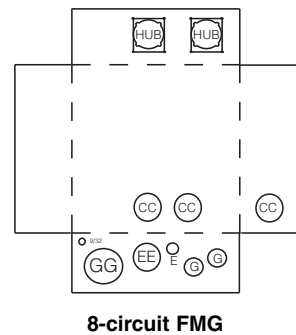
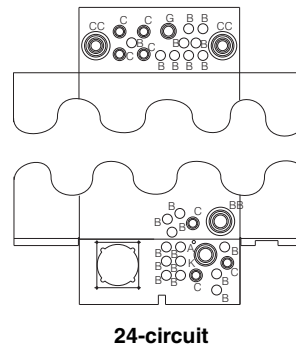
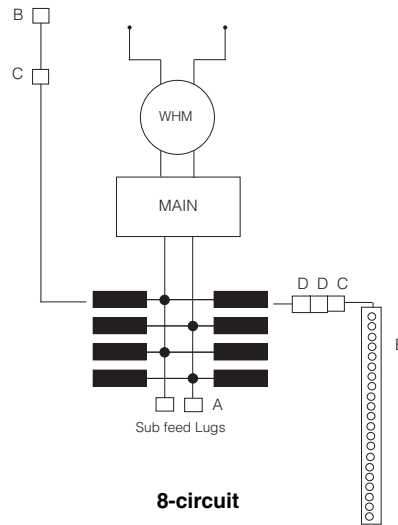
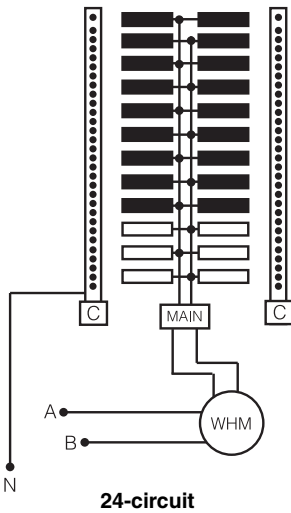
8 & 24 Circuit Meter Socket Load Centers

Technical Data

| Main Ampere Rating | Maximum Spaces | | | | | Outdoor Type 3R Enclosure Cat. Number Box No. | Main Style | Front Style | Bypass Type | Agency | Incoming Line | Equipment Ground Kit Cat No. | |
|--------------------|----------------|----|-----------|----|---------------------|--|--------------------------------|-------------|-------------|-----------|---------------|------------------------------|----------------|
| | 1" THQL | | 1/2" THQP | | Total 1-pole Spaces | | | | | | | | |
| | 1P | 2P | 1P | 2P | | | | | | | | | |
| 200 | 8 | 4 | 16 | 6 | 16 | M208CR2TL | Main Breaker Factory Installed | Surface | None | UL | OH/UG | TGK24 Included | |
| | | | | | | M208CR2TLFMG | | Surface | | | | | UL/FMG |
| | 24 | 12 | 36 | 18 | 42 | M244CR2F | | Flush | | UL EUSERC | UG | TGK12 (order separately) | |
| | 24 | 12 | 36 | 18 | 42 | M244CR2S | | Surface | | | | | |
| 150 | 8 | 4 | 16 | 6 | 16 | M108CR2TL | | Surface | | None | UL | OH/UG | TGK24 Included |
| | | | | | | M108CR2TLFMG | | Surface | | | | | |

Dimensions

| Catalog No. | Dimensions (inches) | | |
|--------------|---------------------|--------|--------|
| | Width | Height | Depth |
| M208CR2TL | 14 | 31 3/4 | 4 1/2 |
| M208CR2TLFMG | 14 | 31 3/4 | 4 1/2 |
| M244CR2F | 16 3/4 | 34 1/4 | 7 5/16 |
| M244CR2S | 16 3/4 | 34 1/4 | 7 5/16 |
| M108CR2TL | 14 | 31 3/4 | 4 1/2 |
| M108CR2TLFMG | 14 | 31 3/4 | 4 1/2 |



Information provided is subject to change without notice. Please verify all details with Midwest Electric Products. All values are design or typical values when measured under laboratory conditions, and Midwest makes no warranty or guarantee, express or implied, that such performance will be obtained under end-use conditions.

Midwest Electric Products, Inc.
PO Box 910 • 58155 240th Street
Mankato, MN 56002-4414
507-625-4414 • Customer Service: 507-345-2505
Fax: 507-345-2530

www.midwestelectric.com

(08/09)

